



DESCRIPTION:

- Faucet with single hole installation
- Single lever, water & temperature control
- Brass body with chrome finish
- High quality, drip-free ceramic cartridge
- Corrosion & discolouration resistant
- Complies with CSA & IAPMO standards

PRESSURE:

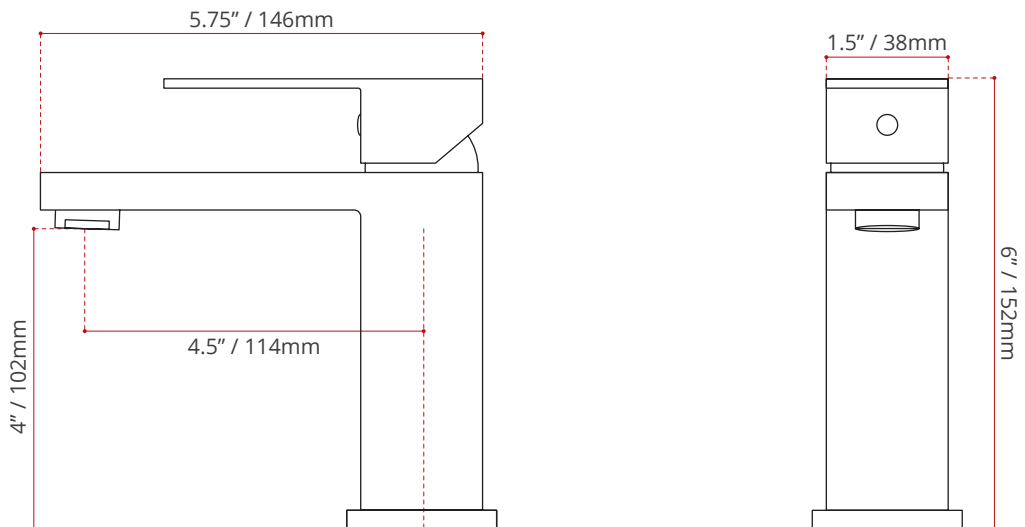
60 PSI

FLOW RATE:

4.5 LPM

SHIPPING INFORMATION:

- Length: 14.18 / 360mm
- Net Weight: 1.5 kg / 3.3 lbs.
- Width: 7.3" / 185mm
- Gross Weight: 2 kg / 4.4 lbs.
- Height: 3.15" / 80mm



DISCLAIMER:

Measurements may vary $\pm 1/4$ "
(Diagram Not to scale)